

Electrical Requirements

RCD Supply, Rough-in & Connection

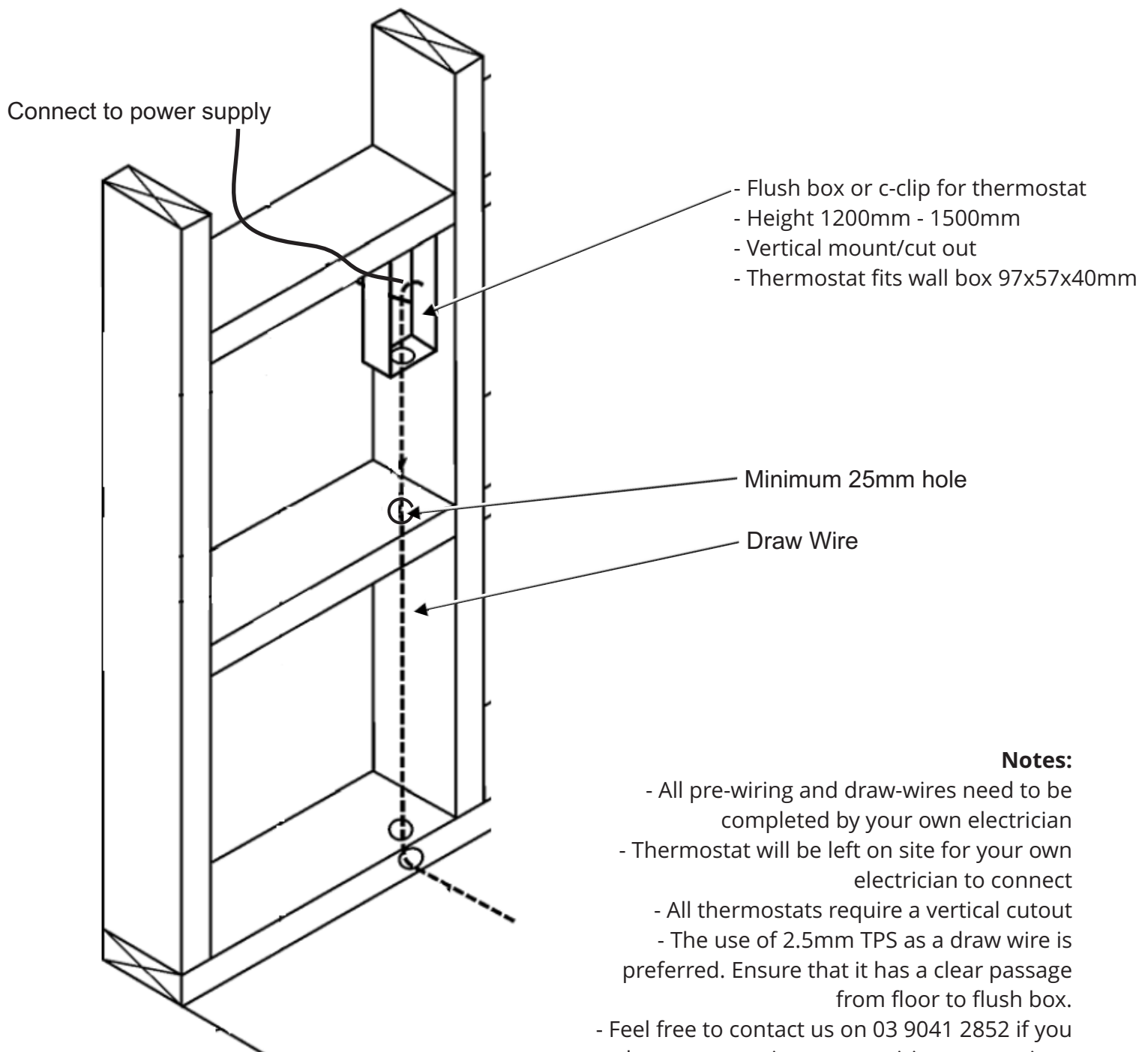


RCD Supply

Quickheat heat tile/carpet installations must be connected to a supply with an approved RCD mounted on the switchboard. It is recommended you consult with your electrician to ascertain whether or not the circuit and cabling can handle the additional load and if a RCD is protecting the circuit.

Electrical Connection

All electrical connections (including thermostat) must be performed by your electrician, in accordance with current AS/NZ3000 wiring rules.



Notes:

- All pre-wiring and draw-wires need to be completed by your own electrician
- Thermostat will be left on site for your own electrician to connect
- All thermostats require a vertical cutout
- The use of 2.5mm TPS as a draw wire is preferred. Ensure that it has a clear passage from floor to flush box.
- Feel free to contact us on 03 9041 2852 if you have any queries on pre-wiring connections